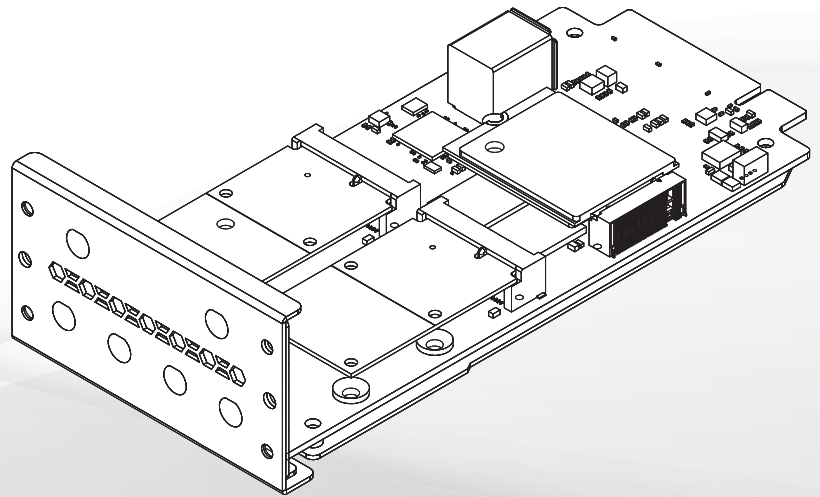


# PuLM Series

## PuLM-2P1M

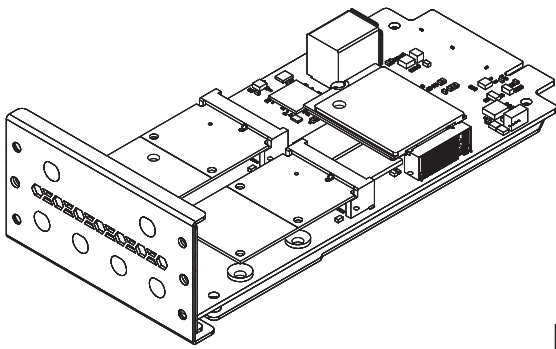
Wifi/LTE Module



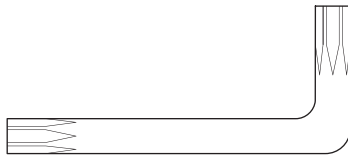
[www.ieiworld.com](http://www.ieiworld.com)

### Package Contents

#### PuLM-2P1M

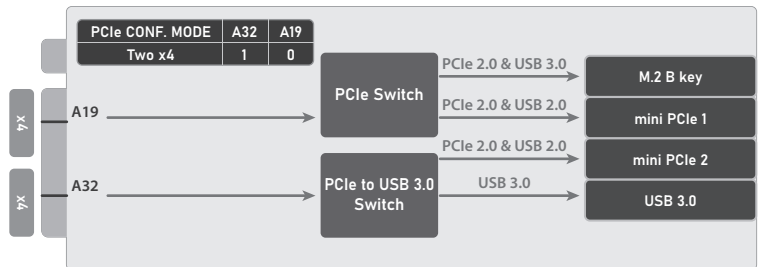


Torx Screws x 2

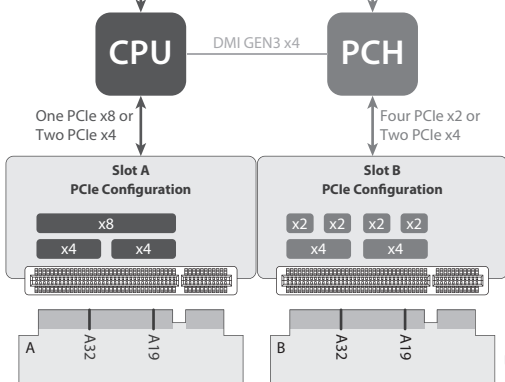
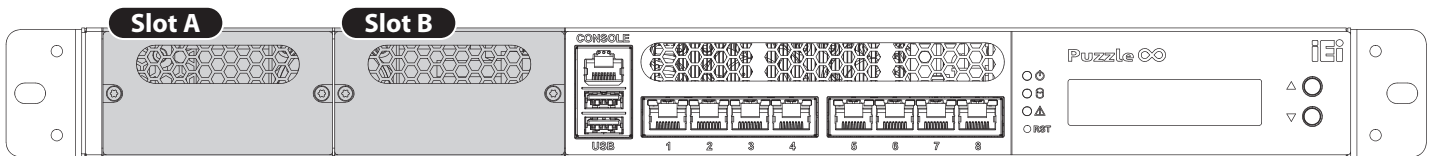


Torx Wrench x 1

### PuLM-2P1M Block Diagram



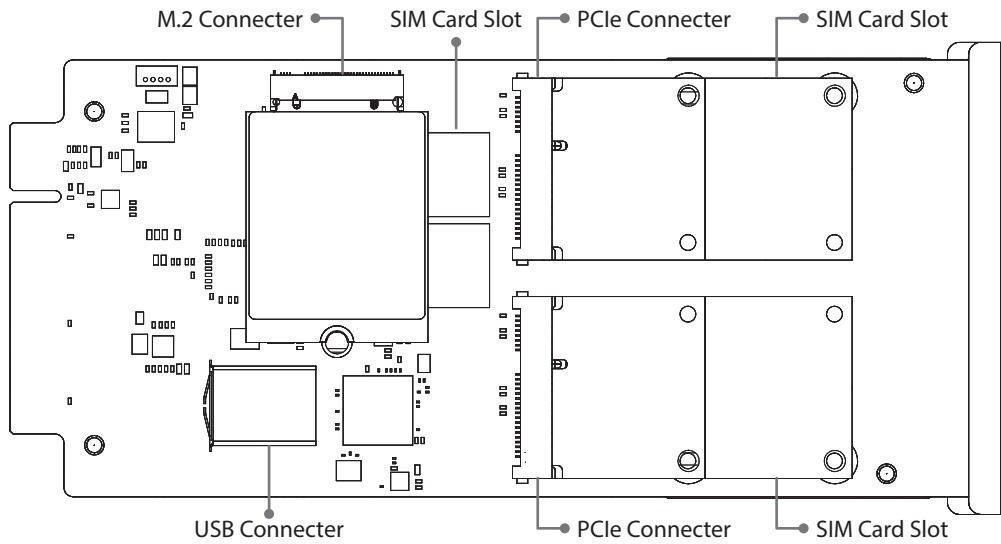
### Hardware Installation



Install the PuLM-2P1M module into the slot of the PUZZLE series. The Slot A supports 8 lanes from CPU (1 PCIe x8 or 2 PCIe x4); the Slot B supports 8 lanes from PCH (2 PCIe x4 or 4 PCIe x2). The PuLM-2P1M is can installed into the slot A & slot B.

A19	A32	PCIe Config.	Slot
0	0	4x2	B
0	1	2x4	A & B
1	0	1x8	A

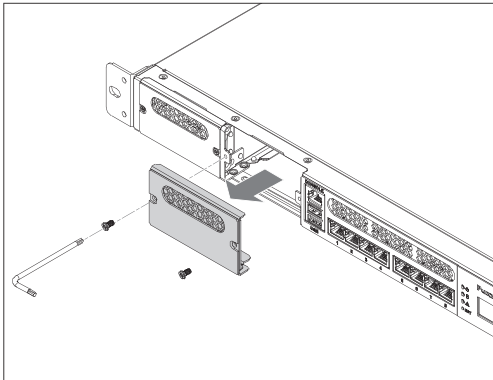
## PuIM-2P1M Installation



## Networking Module Installation

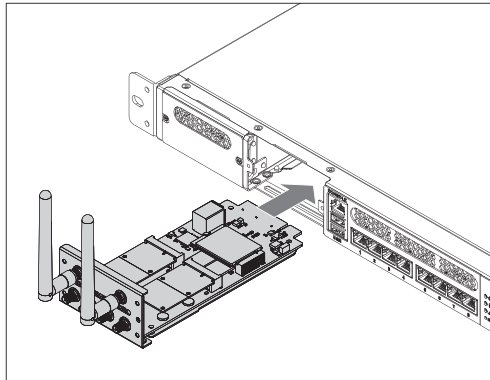
### Step 1

Use the Torx wrench to remove the two Torx screws. Remove the slot cover. Save the slot cover screws.



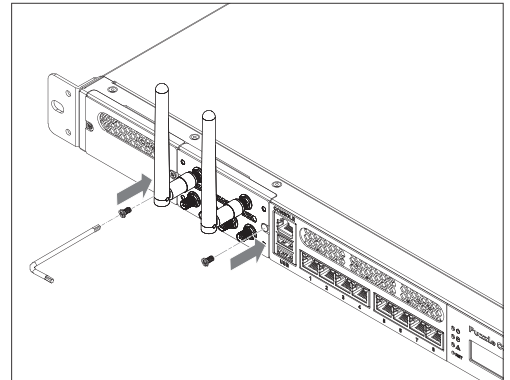
### Step 2

Slide an IEI networking module into the slot until the module is seated in the slot correctly and securely.



### Step 3

Install the previously-removed Torx screws to secure the module to the chassis.



威強電工業電腦 IEI Integration Corp.

No. 29, Zhongxing Rd., Xizhi Dist., New Taipei City 221, Taiwan  
TEL : +886-2-86916798 / +886-2-26902098 FAX : +886-2-66160028  
sales@ieiworld.com www.ieiworld.com

